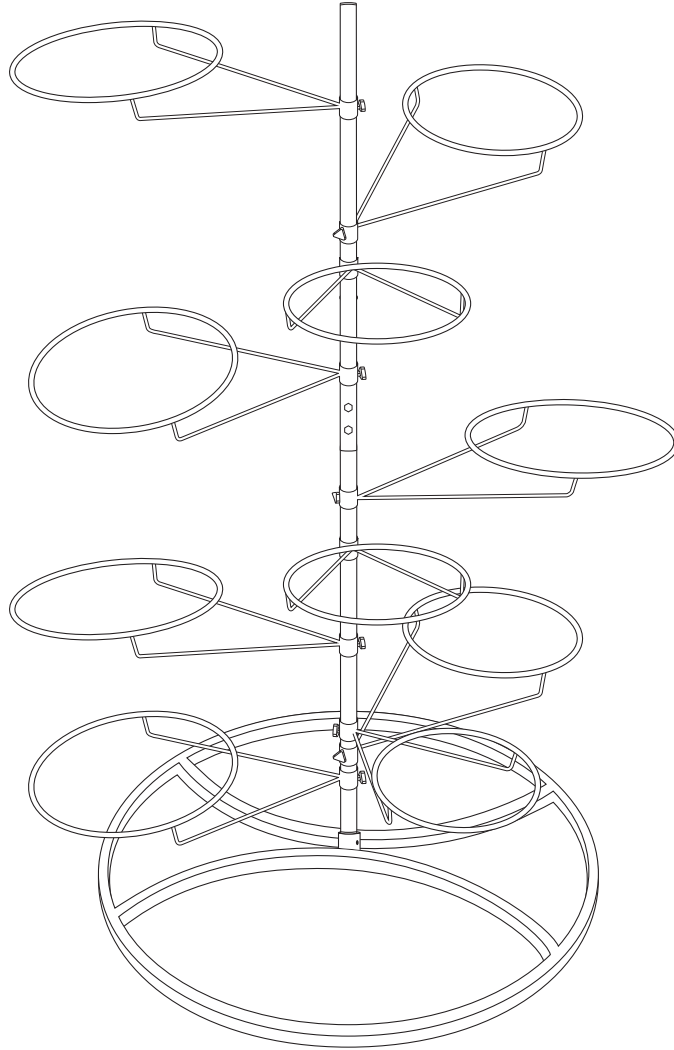
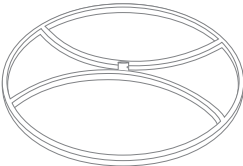







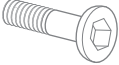


# Stability Ball™ Rack

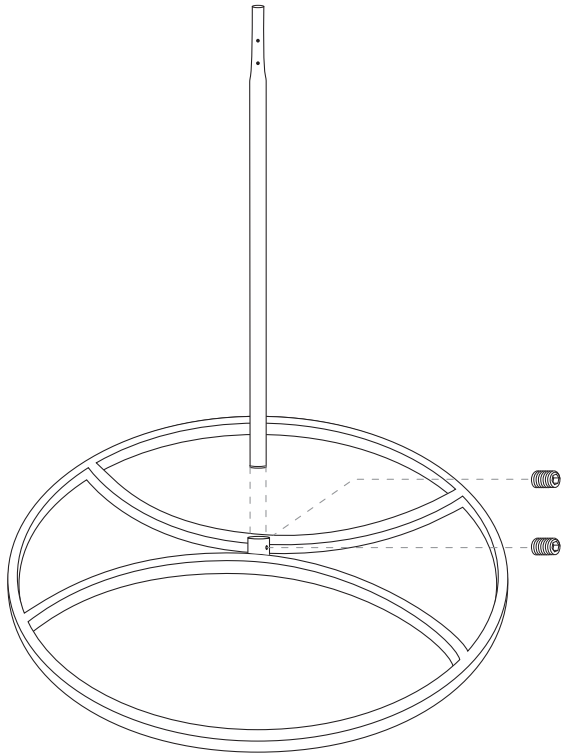
PLEASE REVIEW THESE INSTRUCTIONS COMPLETELY BEFORE BEGINNING ASSEMBLY. BY USING THIS EQUIPMENT, YOU ACCEPT RESPONSIBILITY FOR YOUR OWN ACTIONS.

**BUILD TIME**  
20 Minutes

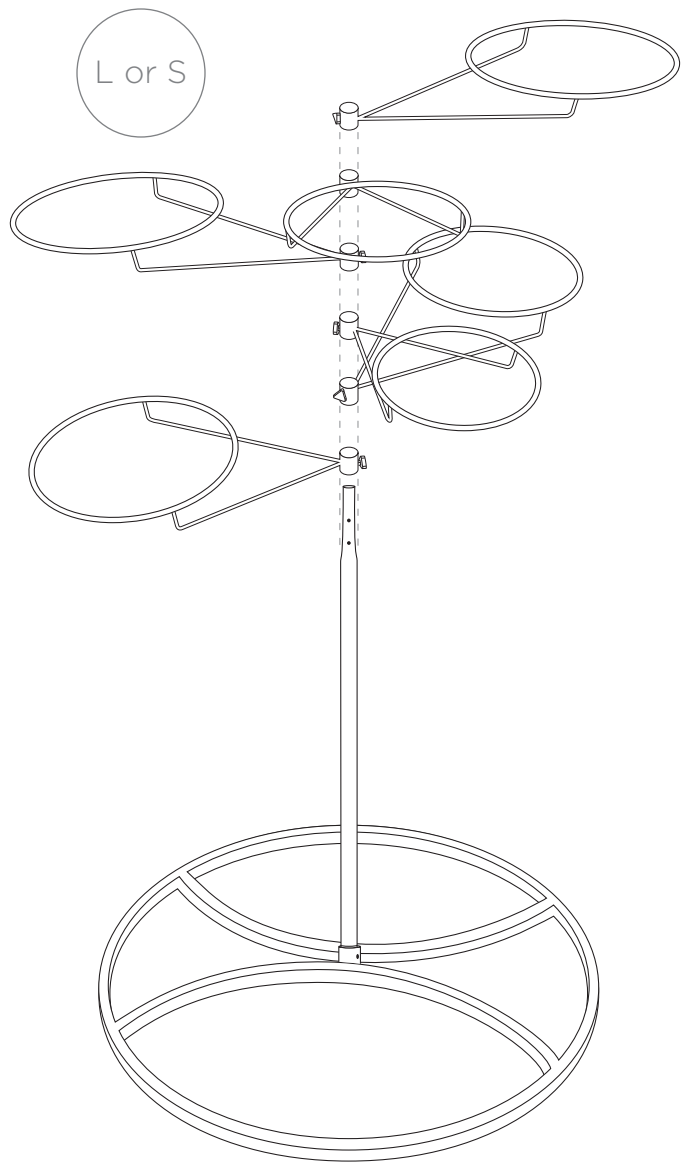


 <p>x1</p>	 <p>x1</p>	 <p>x1</p>	<p>L</p>  <p>x5</p>	 <p>x2</p>
 <p>x1</p>	 <p>x1</p>		<p>S</p>  <p>x5</p>	 <p>x2</p>

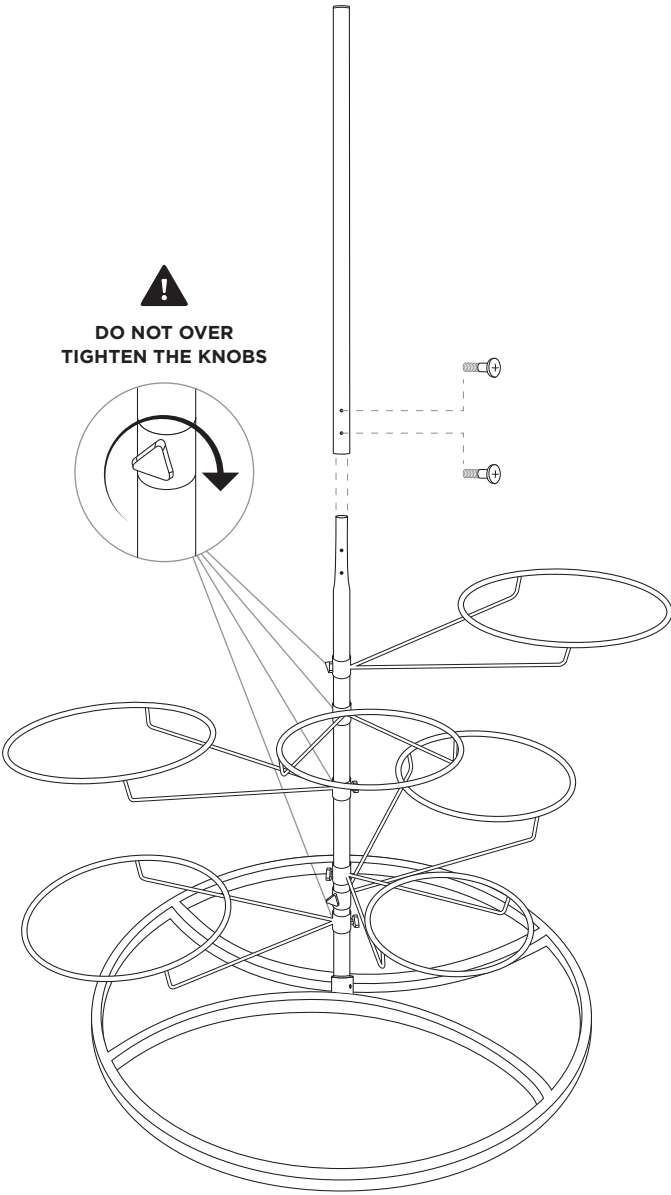
# STEP 1



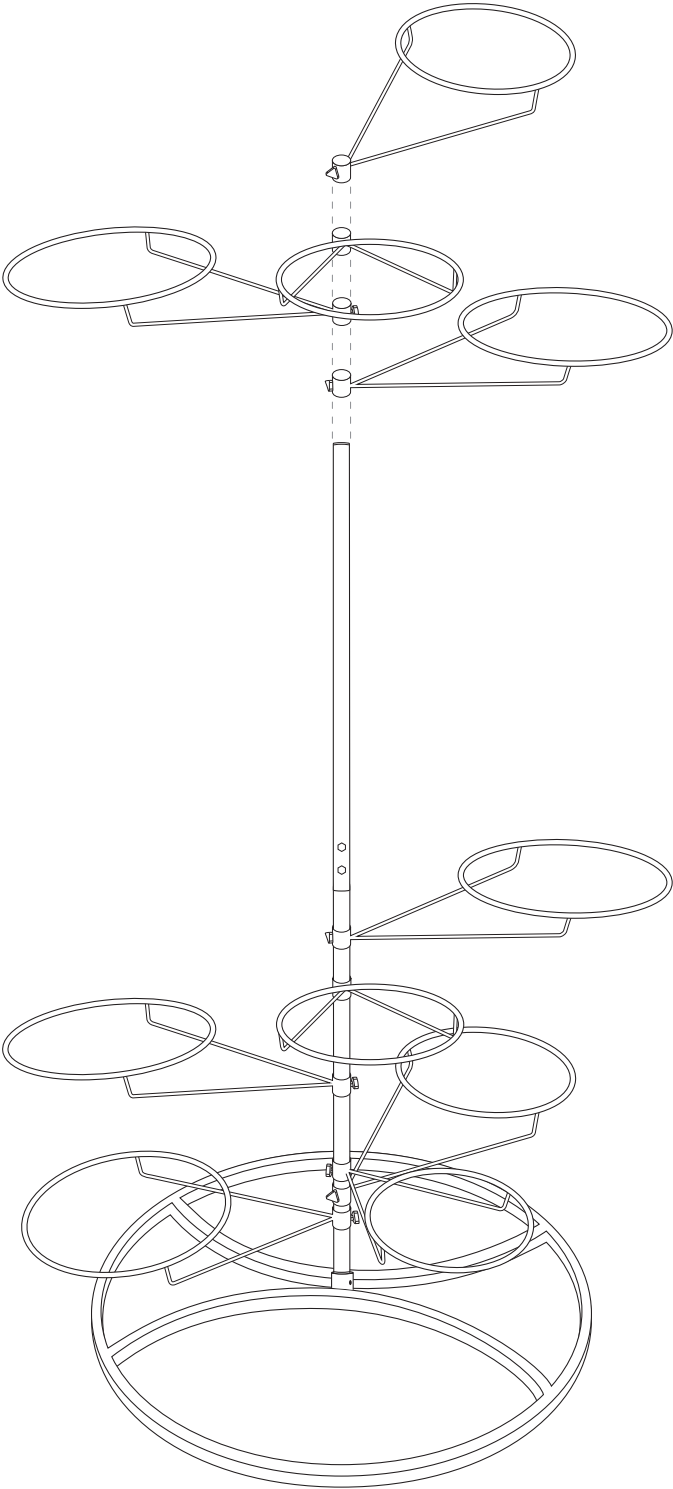
# STEP 2



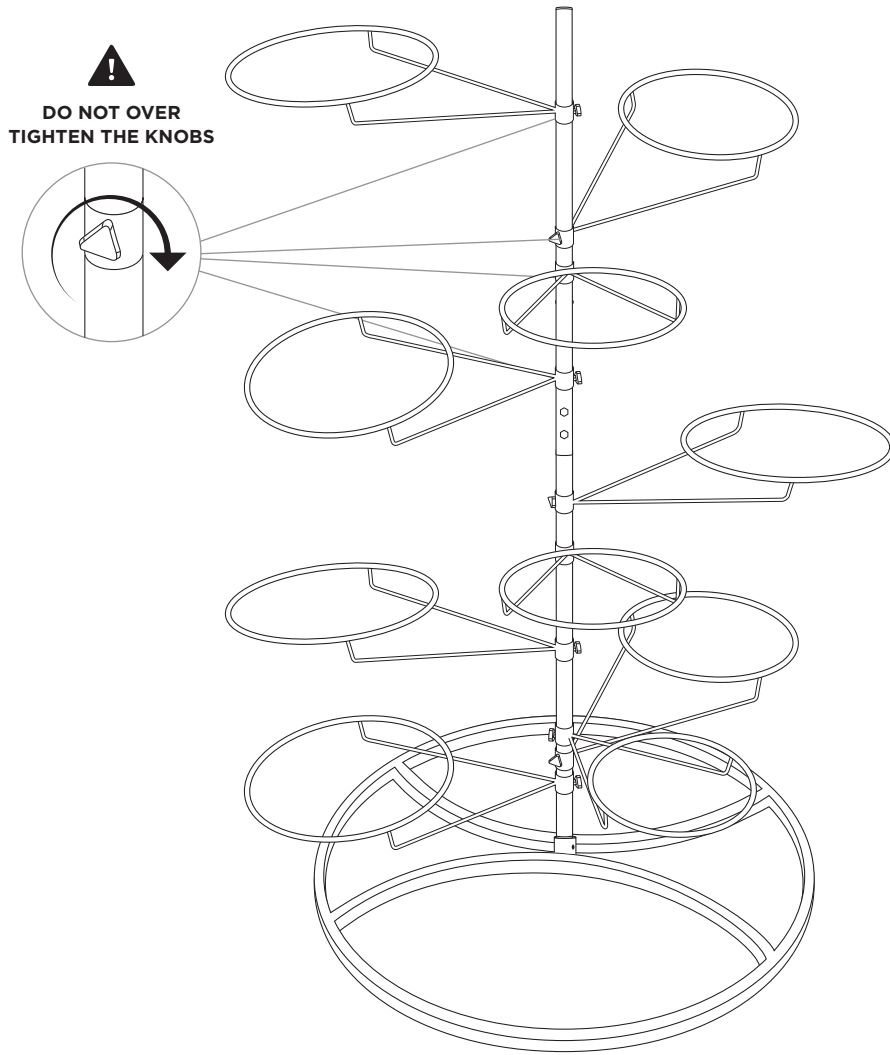
# STEP 3



# STEP 4



# STEP 5



## IMPORTANT

This manual contains important assembly, safety and warranty information. Read the manual carefully before using your new Stability Ball Rack and keep the manual on hand for future reference.

**UNSAFE OR IMPROPER USE OF THIS STABILITY BALL RACK BY FAILING TO READ AND COMPLY WITH ALL REQUIREMENTS AND WARNINGS COULD RESULT IN SERIOUS INJURY.**

It is impossible to predict every situation and condition that can occur while using this Stability Ball Rack. Merrithew™ makes no representation about the safe use of any Stability Ball Rack that cannot be predicted or avoided.

PLEASE READ THESE INSTRUCTIONS COMPLETELY BEFORE BEGINNING ASSEMBLY. BY USING THIS EQUIPMENT, YOU ACCEPT RESPONSIBILITY FOR YOUR OWN ACTIONS.

## SAFETY AND USAGE

- Use only for intended purposes
- Do not over tighten the knobs
- Intended for Stability Balls only, maximum of 10 per rack
- Recommend storing the Stability Balls from the bottom when completely empty
- Can safely hold Stability Balls that are 45cm, 55cm, 65cm and 75cm
- Maximum total weight capacity 33 lbs/15 kg
- Do not hang from the rack or allow children to hang from the rack
- Select a level area of the room to keep the Stability Ball Rack and take caution when storing in high-traffic areas

## CARE AND CLEANING

Wipe surfaces using warm water with mild soap and clear water rinses for day-to-day cleaning. Ensure soap does not leave an oily residue or make surfaces slippery. CAUTION: We do not recommend using chemical-based products. The warranty does not cover this damage.

defects in workmanship and materials, subject to the terms below. This warranty becomes effective at the invoice date of the original purchase. Parts repaired or replaced under the terms of this warranty will be warranted for the remainder of the original warranty period.

It is the purchaser's responsibility to notify the Company of any change of contact information. This ensures, that in the unlikely event of a replacement or safety notice, we are able to contact you immediately.

### This warranty applies to equipment only:

- While it remains in the possession of the original purchaser and proof of purchase is demonstrated
- If claims are made within the part-specific warranty period
- If upgrades are made as required by Merrithew

### This warranty shall be null and void if:

- **Equipment failure is a result of improper assembly, installation or maintenance**
- **The equipment is used for any other purpose other than as intended, or is stored or used outdoors, or in environments without adequate climate/humidity controls**
- **Equipment has been subjected to accident, misuse, abuse, improper service, or any modification not authorized by Merrithew**

This warranty does not cover damage to the finish of any equipment nor shipping charges, customs clearance fees (if applicable), or any costs incurred in installing repaired or replacement parts shipped under the provisions of this warranty.

### Thirty (30) Day Limited Warranty

Thirty (30) Day Limited Warranty Merrithew will, at its option, repair, replace or credit the Stability Ball Rack if it fails for any reason, provided such failure is reported to Merrithew within a period of thirty (30) days from the-invoice date of the original-purchase.

### Disclaimer of Implied Warranties and Limitation of Remedies

Repair or replacement of defective parts is your exclusive remedy under the terms of this limited warranty. In the event of parts availability issues, Merrithew will not be responsible for any consequential or incidental damages arising from the breach of either this limited warranty or any applicable implied warranty, or for failure or damage resulting from acts of nature, improper care and maintenance, accident, alteration, replacement of parts by anyone other than Merrithew, misuse, transportation, abuse, hostile environments (inclement weather, acts of nature), improper installation or installation not in accordance with local codes or printed instructions.

**This limited warranty is the sole express warranty given by Merrithew. No product performance, specification or description wherever appearing is warranted by Merrithew except to the extent set forth in this limited warranty. Any implied warranty protection arising under the laws of any state, province or territory including implied warranty of merchantability or fitness for a particular purpose, or use, is hereby limited in duration to the duration of this limited warranty.**

Neither distributors, dealers, web resellers, nor the retailers selling this product have any authority to make any additional warranties or to promise remedies in addition to, or inconsistent with those stated above. Merrithew's maximum liability, in any event, shall not exceed the purchase price of the product paid by the original purchaser.

### IMPORTANT

**Please keep this manual in a safe place. If you have questions, issues or are missing parts: Do NOT return this unit to your local retailer, please contact Merrithew directly.**

**customer@merrithew.com**

**416.482.4050 | 1.800.910.0001 | 0800.328.5676 UK | ext. 0907**

## WARRANTY

Merrithew warrants that all new equipment is free of manufacturing



2200 Yonge Street, Suite 500, Toronto, Ontario, Canada M4S 2C6  
416.482.4050 | 1.800.910.0001 | 0800.328.5676 UK | ext. 0907  
customer@merrithew.com | [merrithew.com](http://merrithew.com)