

Medicine Ball Rack

PLEASE REVIEW THESE INSTRUCTIONS COMPLETELY BEFORE BEGINNING ASSEMBLY. BY USING THIS EQUIPMENT, YOU ACCEPT RESPONSIBILITY FOR YOUR OWN ACTIONS.

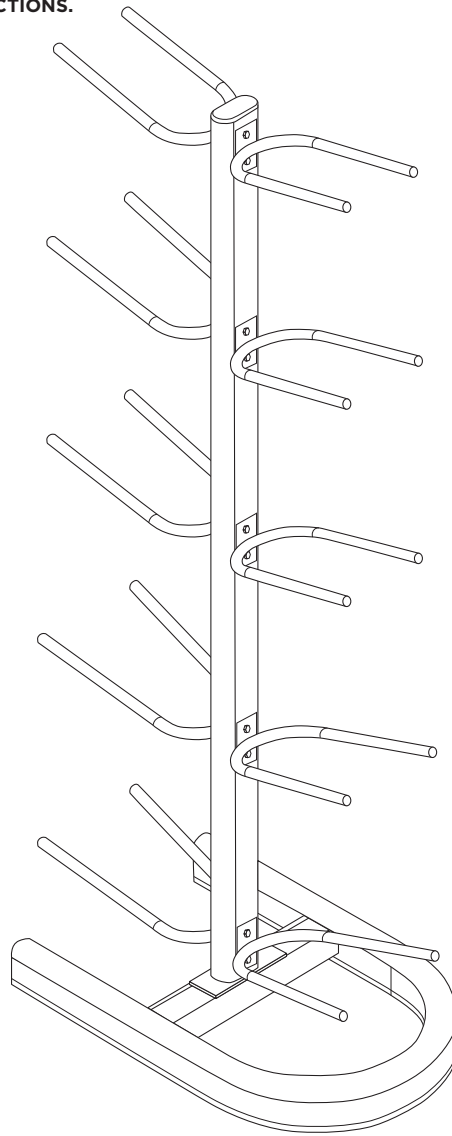
ASSEMBLY TOOLS REQUIRED
Not Included

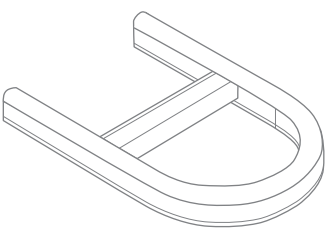


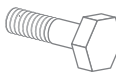



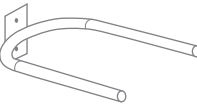
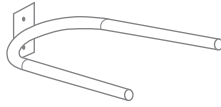


Adjustable Wrench



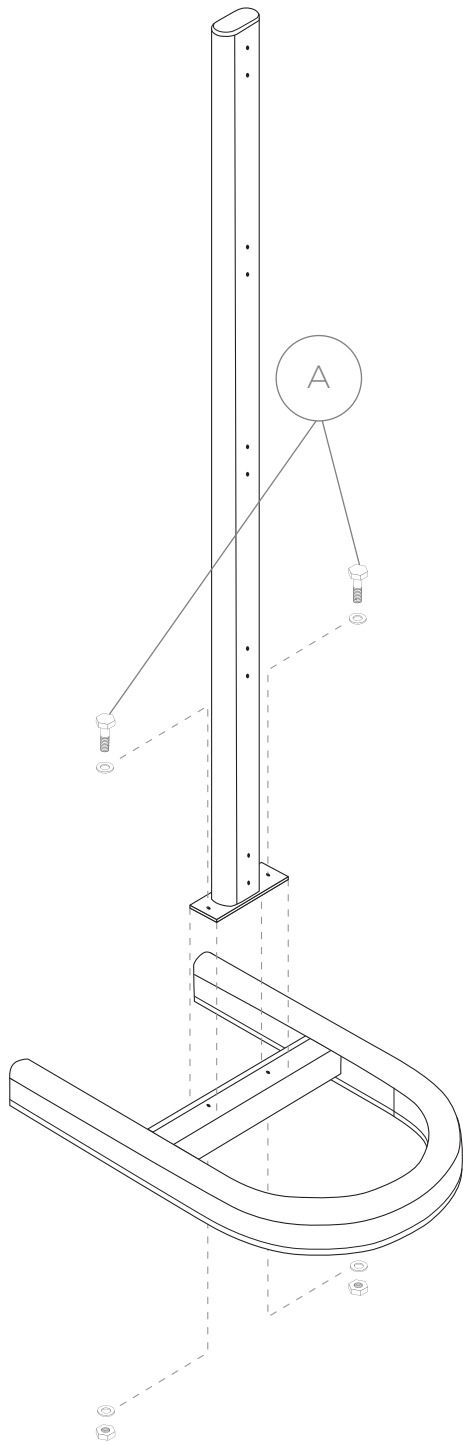
x2

BUILD TIME
30 Minutes

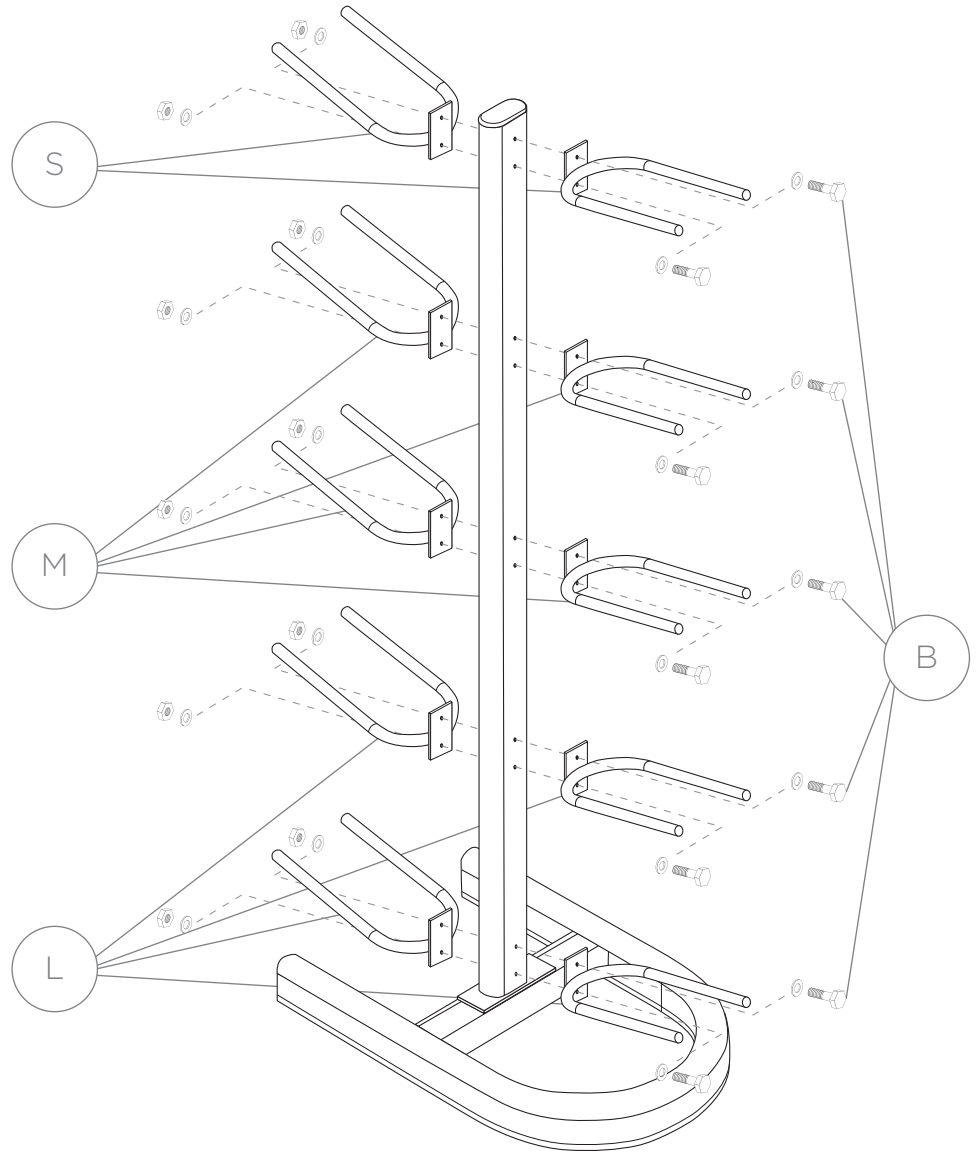


 <p>x1</p>	 <p>x1</p>	<p>S</p>  <p>x2</p>	<p>A</p>  <p>x2</p>	<p>B</p>  <p>x10</p>	 <p>x20</p>	 <p>x4</p>
		<p>M</p>  <p>x4</p>	<p>L</p>  <p>x4</p>	 <p>x10</p>	 <p>x2</p>	

STEP 1



STEP 2



IMPORTANT

This manual contains important assembly, safety and warranty information. Read the manual carefully before using your new Medicine Ball Rack and keep the manual on hand for future reference.

UNSAFE OR IMPROPER USE OF THIS MEDICINE BALL RACK BY FAILING TO READ AND COMPLY WITH ALL REQUIREMENTS AND WARNINGS COULD RESULT IN SERIOUS INJURY.

It is impossible to predict every situation and condition that can occur while using this Medicine Ball Rack. Merrithew™ makes no representation about the safe use of any Medicine Ball Rack that cannot be predicted or avoided.

PLEASE READ THESE INSTRUCTIONS COMPLETELY BEFORE BEGINNING ASSEMBLY. BY USING THIS EQUIPMENT, YOU ACCEPT RESPONSIBILITY FOR YOUR OWN ACTIONS.

SAFETY AND USAGE

- Use only for intended purposes
- Intended for Medicine Balls, maximum of 10 per rack
- To prevent tipping, fill rack from bottom up
- Can safely hold Medicine Balls that are up to 22 lbs/10 kg
- Maximum total weight capacity 220 lbs/100 kg
- Do not hang from the rack or allow children to hang from the rack
- Select a level area of the room to keep the Medicine Ball Rack and take caution when storing in high-traffic areas

CARE AND CLEANING

Wipe surfaces using warm water with mild soap and clear water rinses for day-to-day cleaning. Ensure soap does not leave an oily residue or make surfaces slippery. CAUTION: We do not recommend using chemical-based products. The warranty does not cover this damage.

ASSEMBLY TOOLS REQUIRED

Adjustable wrench (x2) needed for assembly.

WARRANTY

Merrithew warrants that all new equipment is free of manufacturing defects in workmanship and materials, subject to the terms below. This warranty becomes effective at the invoice date of the original purchase. Parts repaired or replaced under the terms of this warranty will be warranted for the remainder of the original warranty period.

It is the purchaser's responsibility to notify the Company of any change of contact information. This ensures, that in the unlikely event of a replacement or safety notice, we are able to contact you immediately.

This warranty applies to equipment only:

- While it remains in the possession of the original purchaser and proof of purchase is demonstrated
- If claims are made within the part-specific warranty period
- If upgrades are made as required by Merrithew

This warranty shall be null and void if:

- **Equipment failure is a result of improper assembly, installation or maintenance**
- **The equipment is used for any other purpose other than as intended, or is stored or used outdoors, or in environments without adequate climate/humidity controls**
- **Equipment has been subjected to accident, misuse, abuse, improper service, or any modification not authorized by Merrithew**

This warranty does not cover damage to the finish of any equipment nor shipping charges, customs clearance fees (if applicable), or any costs incurred in installing repaired or replacement parts shipped under the provisions of this warranty.

Thirty (30) Day Limited Warranty

Thirty (30) Day Limited Warranty Merrithew will, at its option, repair, replace or credit the Medicine Ball Rack if it fails for any reason, provided such failure is reported to Merrithew within a period of thirty (30) days from the invoice date of the original purchase.

Disclaimer of Implied Warranties and Limitation of Remedies

Repair or replacement of defective parts is your exclusive remedy under the terms of this limited warranty. In the event of parts availability issues, Merrithew will not be responsible for any consequential or incidental damages arising from the breach of either this limited warranty or any applicable implied warranty, or for failure or damage resulting from acts of nature, improper care and maintenance, accident, alteration, replacement of parts by anyone other than Merrithew, misuse, transportation, abuse, hostile environments (inclement weather, acts of nature), improper installation or installation not in accordance with local codes or printed instructions.

This limited warranty is the sole express warranty given by Merrithew. No product performance, specification or description wherever appearing is warranted by Merrithew except to the extent set forth in this limited warranty. Any implied warranty protection arising under the laws of any state, province or territory including implied warranty of merchantability or fitness for a particular purpose, or use, is hereby limited in duration to the duration of this limited warranty.

Neither distributors, dealers, web resellers, nor the retailers selling this product have any authority to make any additional warranties or to promise remedies in addition to, or inconsistent with those stated above. Merrithew's maximum liability, in any event, shall not exceed the purchase price of the product paid by the original purchaser.

IMPORTANT

Please keep this manual in a safe place. If you have questions, issues or are missing parts: Do NOT return this unit to your local retailer, please contact Merrithew directly.

customer care@merrithew.com

416.482.4050 | 1.800.910.0001 | 0800.328.5676 UK | ext. 0907



2200 Yonge Street, Suite 500, Toronto, Ontario, Canada M4S 2C6
416.482.4050 | 1.800.910.0001 | 0800.328.5676 UK | ext. 0907
customer care@merrithew.com | merrithew.com