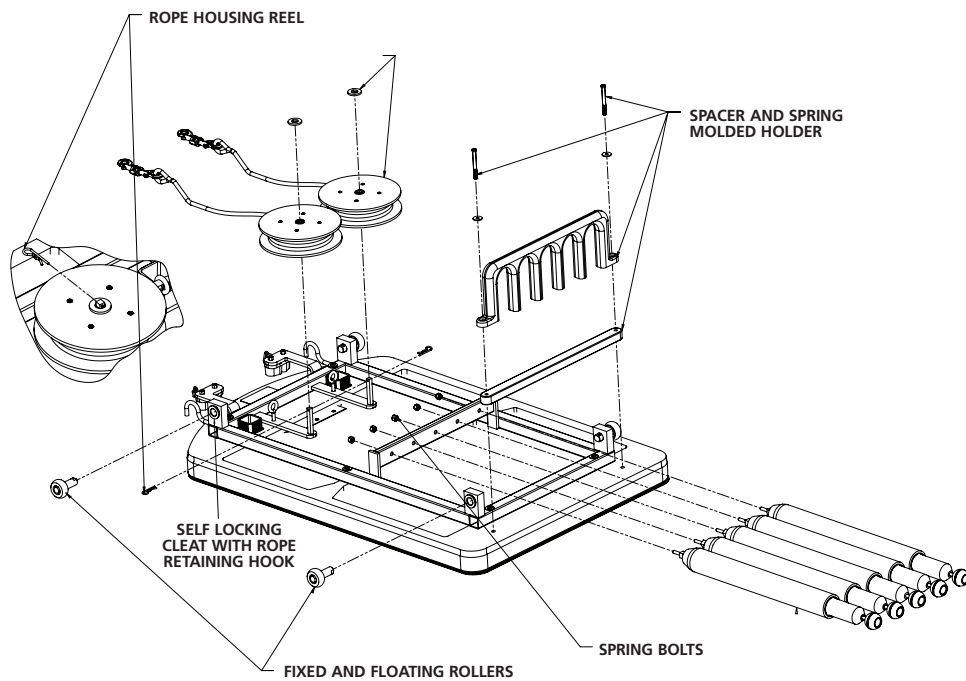


How to... Replace Carriage Frame or Bed

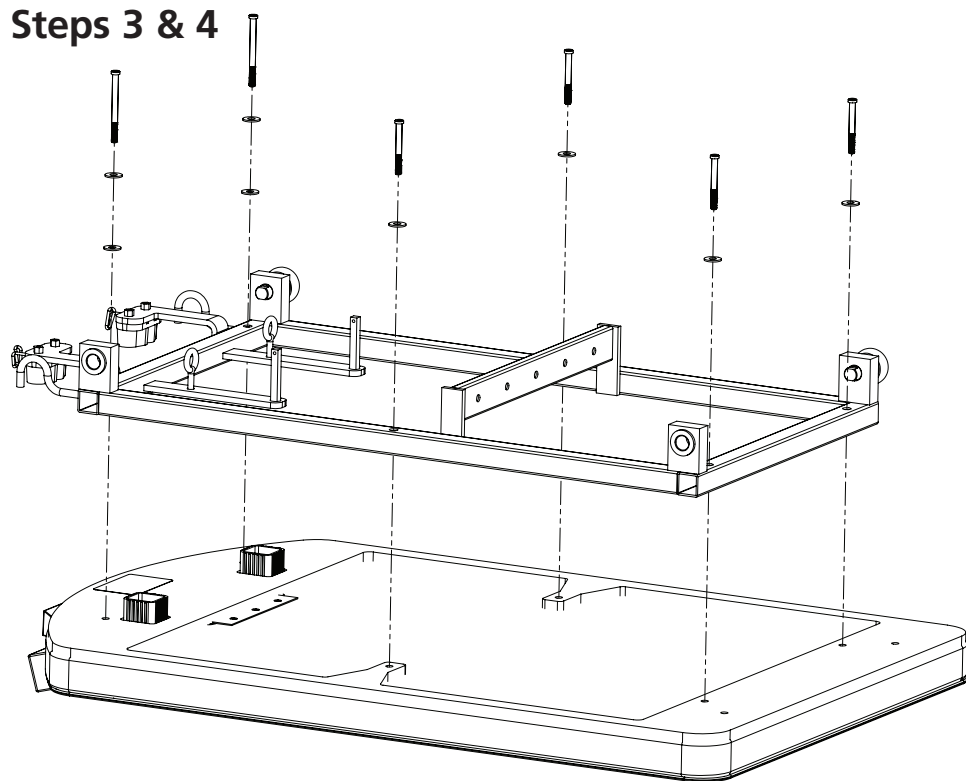
Steps 1 & 2



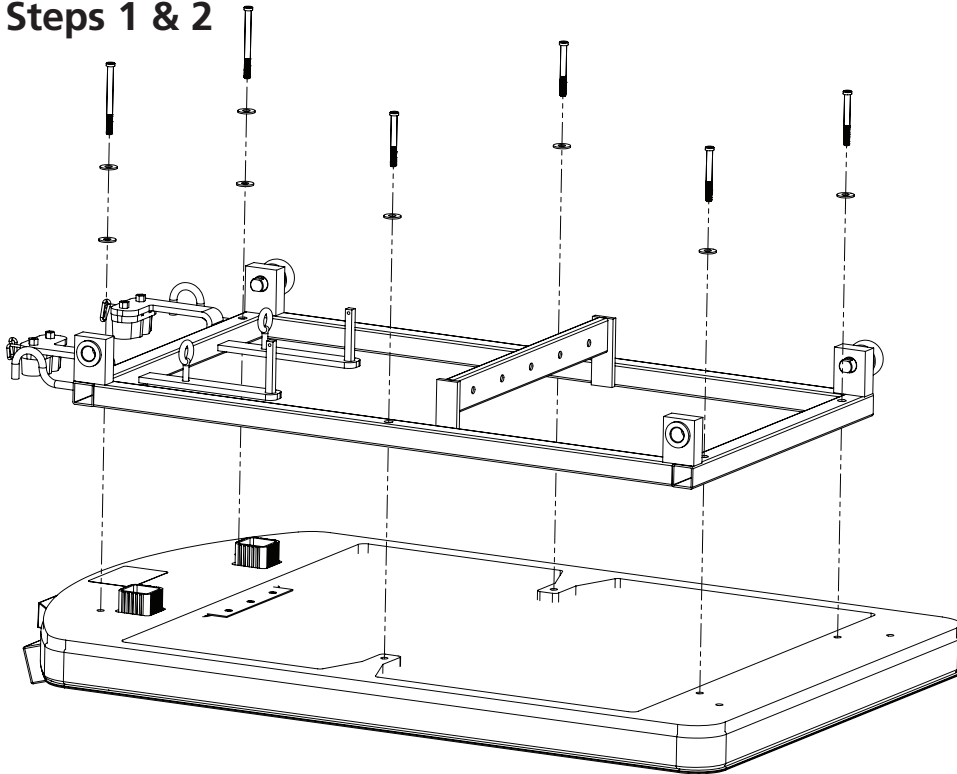
Removal

1. Unscrew five nylock nuts and take springs off. Discard original nylock nuts.
2. Unscrew and remove the self locking cleats with rope retaining hooks.

Steps 3 & 4



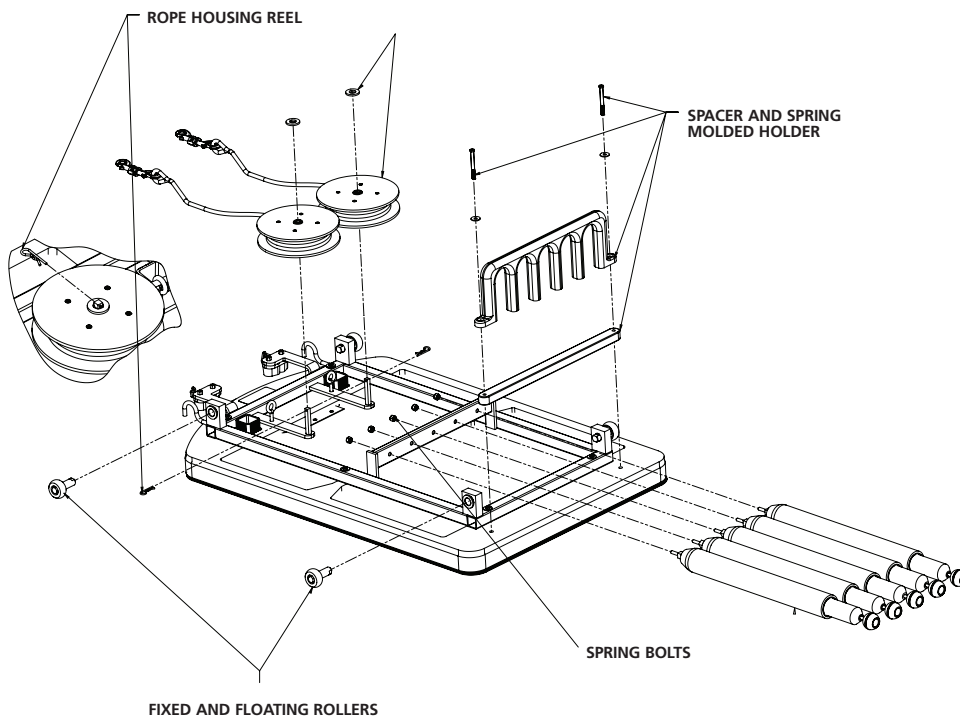
Steps 1 & 2



Replacement

1. With the washers on the bolts, replace and tighten the eight (8) 7/16" hex bolts. Six (6) of which reattach the new carriage top to the frame and the remaining two (2) to reattach the molded spring holder
2. Use supplied nylock nuts and reattach springs to frame.

Steps 3 & 4



3. Confirm all bolts are tightly refastened.
4. Attach self locking cleats with rope retaining cleats to new carriage frame.



For more information contact our Customer Service

1.800.910.0001 ext. 0907 | 0800.328.5676 ext. 0907 (UK)

416.482.4050 ext. 0907 (Customer Care)

customerservice@merrithew.com

merrithew.com