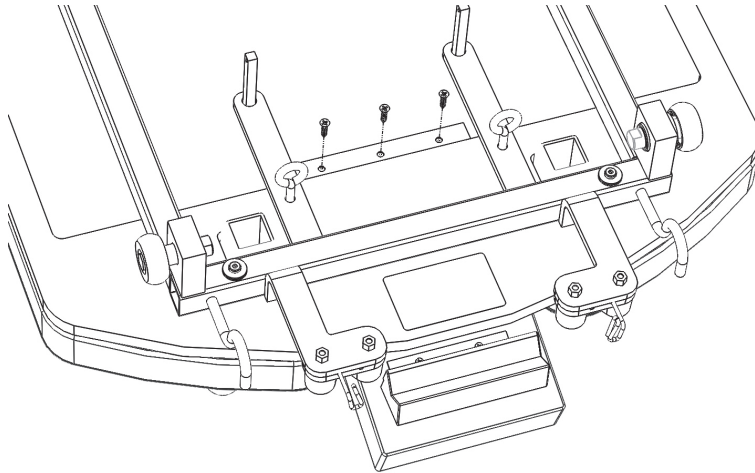


How to... Remove or Reattach a Headrest

Step 1



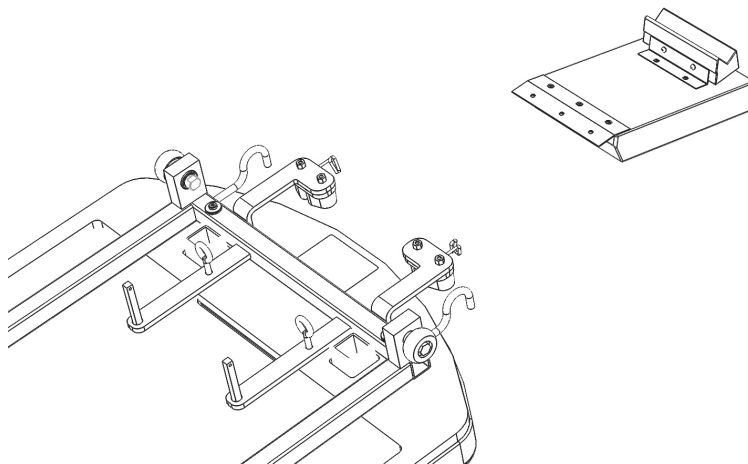
NOTE: if the Reformer has retractable rope reels attached underneath the carriage it will be necessary to remove the reels to gain access to the piano hinge screw.

Reformers with Traditional Rope systems offer direct access to the piano hinge screws underneath the carriage.

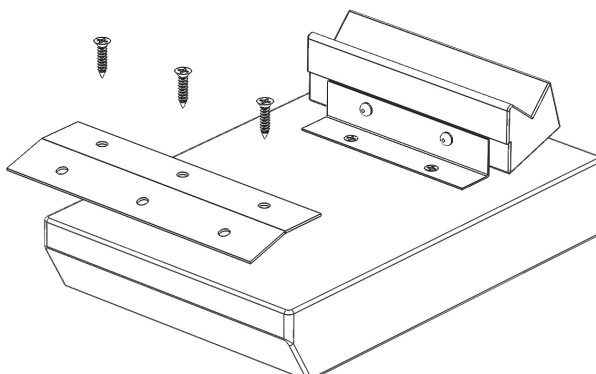
Removal

1. Remove the three screws from the piano hinge on the underside of the carriage.
2. Gently pull the headrest back off of the carriage.
3. Unscrew the three screws that attach the opposite side of the piano hinge to the front underside of the headrest.

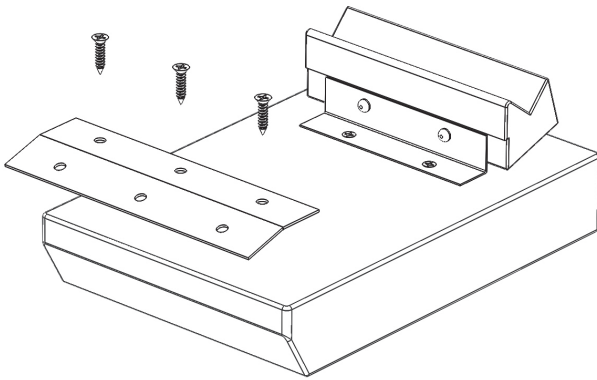
Step 2



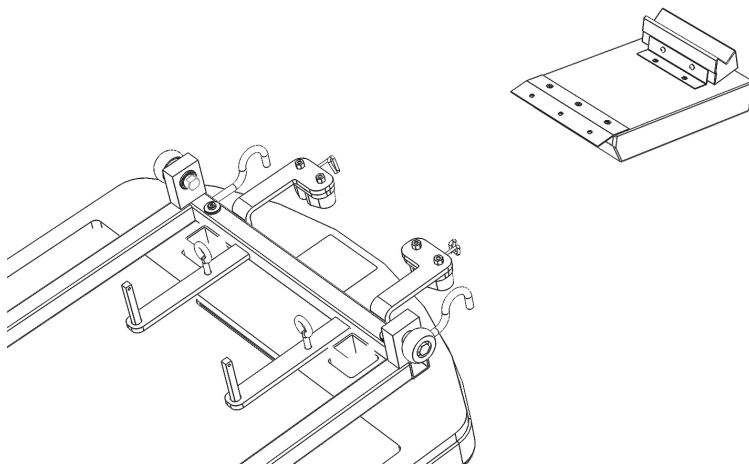
Step 3



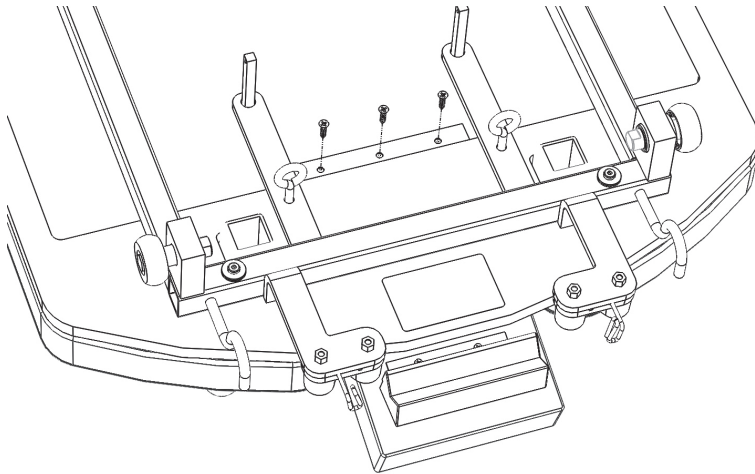
Step 1



Step 2



Step 3



Reattach

1. Confirm the screws will securely fasten down into the headrest and undercarriage holes. If screws feel loose, fill the holes with wood filler and allow to dry
2. With the piano hinge securely attached to the headrest, slip the opposite side of the hinge through the slot-like space at the front in the Reformers carriage.
3. Align the piano hinge over the screw holes on the underside of the carriage and replace and retighten all screws.
4. Ensure the headrest is securely in place before using.



For more information contact our Customer Service

1.800.910.0001 ext. 0907 | 0800.328.5676 ext. 0907 (UK)

416.482.4050 ext. 0907 (Customer Care)

customerservice@merrithew.com

merrithew.com